



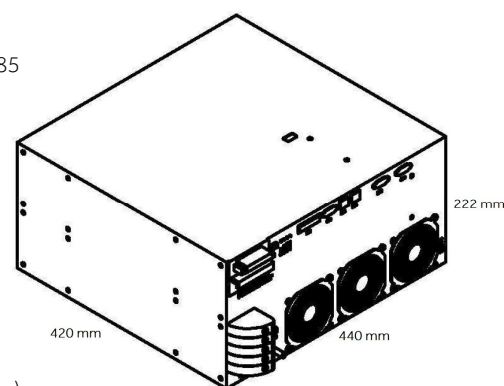
The new series of **SAF-M** active filters represents the ideal solution to compensate for the most demanding harmonic currents, with any type of non-linear load involved, and have a **modular design** specifically designed for easy cabinet assembly and application flexibility.

DATI DI PERFORMANCE

■ Mains voltage	3-wire: 380 - 480 Vac 4-wire: 380 - 415 Vac
■ Rated frequency	50 Hz / 60Hz
■ Inverter topology	3-level NPC topology, IGBT
■ Switching frequency	16 kHz
■ Response time	<100 μ s
■ Compensated harmonic currents	Up To the 50 th harmonic (even and odd harm. orders)
■ Residual THDI (in current)	< 5%
■ Supply	Three-phase, 3-wire or 4-wire (three-phase+neutral)
■ Max. rated phase / neutral conductor mitigation current	60 Arms / 180 Apk

TECHNICAL DATA

Power factor correction	$\cos \varphi = -0.7 \dots 1 \dots 0.7$ (inductive and capacitive compensation).
Power losses	<1100 W under full mitigation performance (<2.6%) <970 W in typical operation (<2.3%)
Communication interface	Ethernet TCP/IP, Modbus RTU RS 485
Digital I/O	2 DI + 2 DO
C.T. ratio	xx:5 A or xx:1 A
Degree of protection	IP 20 / 21.
Weight (single module)	44 Kg.
Mounting	Wall-mounting (book or flat mounting).
Ambient temperature	0 ... 50°C full performance, up to 55°C with degrading of 3% per Kelvin.
Noise level	< 56 to 63 dB A (depending on load situation).
Altitude	< 1000 m without degrading; up to 4000 m with degrading 1% / 100 m.



Display Module

Furthermore, the SAF-M filter is equipped with the LCD display module, which is used to monitor the measured values of the three-phase network and to change the filter parameters. A display module adapts to all power supply modules and can be used in any system configuration, whether it is a single power supply module, a double power supply unit or a cabinet installation.



QUALITY AND APPROVALS

Reference standards IEE 519, EN 61000-3-12

Certifications CE, UL

Our Active Filter solutions, and the related codes, are available upon request