



The **RFIX** series is the new solution developed for fixed power factor correction. The compact design makes it easy to locate and install. A second version equipped with a protection device is also available.

PERFORMANCE DATA

■ Rated voltage	415 Vac (others on request)
■ Max. voltage on capacitors (without harmonics)	450 Vac for RFIX-B15 series; 550 Vac for RFIX-B50 series
■ Rated frequency	50 Hz (60 Hz on request)
■ Insulation voltage	690 Vac
■ Overvoltage	1,1 Un (rated voltage)
■ Capacitance tolerance	-5% / +10%
■ Discharge resistor	75V residual within 3 minutes (included)

QUALITY AND TESTING

Regulations IEC/EN 60831-1 / 2, IEC/EN 61921

TECHNICAL DATA

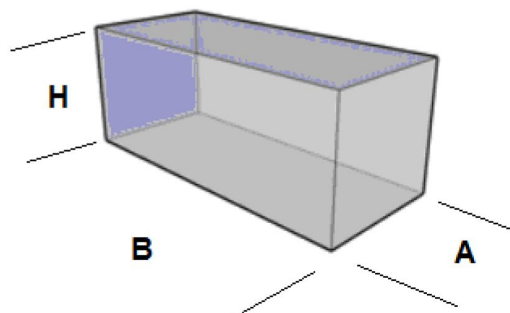
Supply	Three-phase + earth.
Degree of protection	IP 30.
Installation	Vertical, for wall mounting. Indoor installation, in a well ventilated position away from heat sources.
Ventilation	Natural.
Dielectric losses	$\leq 0,2 \text{ W / kvar}$.
Fuses	T version only. Each capacitors bank is protected by fuses. The protection system of both the power circuits (NH-00 curve gG fuses) and the auxiliary ones (isolable fuse holders and 10.3x38 fuses) foresees the use of high breaking power fuses (100kA).
Capacitors	Single-phase capacitors in self-healing metallized polypropylene (MKP), equipped with an anti-burst device and discharge resistance. They are impregnated in vegetable oil, PCB free. Delta connection. Type of continuous service. <ul style="list-style-type: none"> • overvoltage: $1.1 \times A$ (8h / 24h) • current overload: $1.3 \times I_n$ • capacity tolerance: -5% / + 10% • losses due to dissipation: $\leq 0.4 \text{ W / kvar}$ • temperature category: -25 / D

CONSTRUCTION CHARACTERISTICS

RFIX	fixed bank, without any protection device.
RFIX-T	fixed bank, equipped with protection device (isolating switch + fuses).

Fixed dimensions:

A = 170 mm
B = 400 mm
H = 250 mm



CONFIGURATION

General notes

- The cable entry is always at the top.

Table

Code	Type	50Hz			Capacitance μF	Weight <i>kg.</i>	THDI Max. (%)	THD _{ic} Max. (%)
		Qn <i>kvar</i>	Un <i>V</i>	In <i>A</i>				
8951412034335	RFIX-B15	3,4	415	4,7	3 x 21	6	15	50
8951412062335	RFIX-B15	6,25	415	8,7	3 x 38,5	6,3	15	50
8951412125335	RFIX-B15	12,5	415	17,4	3 x 77	6,5	15	50
8951412175335	RFIX-B15	17,5	415	24,3	3 x 105	7	15	50
8951412250335	RFIX-B15	25	415	34,8	3 x 154	9,5	15	50
8951412340335	RFIX-B15	34	415	48	3 x 210	10,5	15	50
8951412034350	RFIX-B50	3,4	415	4,7	3 x 21	6	35	80
8951412062350	RFIX-B50	6,25	415	8,7	3 x 38,5	6,3	35	80
8951412125350	RFIX-B50	12,5	415	17,4	3 x 77	6,5	35	80
8951412175350	RFIX-B50	17,5	415	24,3	3 x 105	7	35	80
8951412250350	RFIX-B50	25	415	34,8	3 x 154	9,5	35	80

Solution with isolator switch and fuses

Code	Type	50Hz			Capacitance μF	Weight <i>kg.</i>	THDI Max. (%)	THD _{ic} Max. (%)
		Qn <i>kvar</i>	Un <i>V</i>	In <i>A</i>				
8951412034355	RFIX-T-B15	3,4	415	4,7	3 x 21	6	15	50
8951412062355	RFIX-T-B15	6,25	415	8,7	3 x 38,5	6,3	15	50
8951412125355	RFIX-T-B15	12,5	415	17,4	3 x 77	6,5	15	50
8951412175355	RFIX-T-B15	17,5	415	24,3	3 x 105	7	15	50
8951412250355	RFIX-T-B15	25	415	34,8	3 x 154	9,5	15	50
8951412340355	RFIX-T-B15	34	415	48	3 x 210	10,5	15	50
8951412034375	RFIX-T-B50	3,4	415	4,7	3 x 21	6	35	80
8951412062375	RFIX-T-B50	6,25	415	8,7	3 x 38,5	6,3	35	80
8951412125375	RFIX-T-B50	12,5	415	17,4	3 x 77	6,5	35	80
8951412175375	RFIX-T-B50	17,5	415	24,3	3 x 105	7	35	80
8951412250375	RFIX-T-B50	25	415	34,8	3 x 154	9,5	35	80

Other solutions are available on request.