



The **RCM** series capacitor racks are designed for our **G6E** and **G8E** type cabinets. Inside each rack are assembled single-phase capacitor terns. In the case of a high level of harmonic current distortion, versions with blocking reactors (**AAR** / ... series) are available.

PERFORMANCE DATA

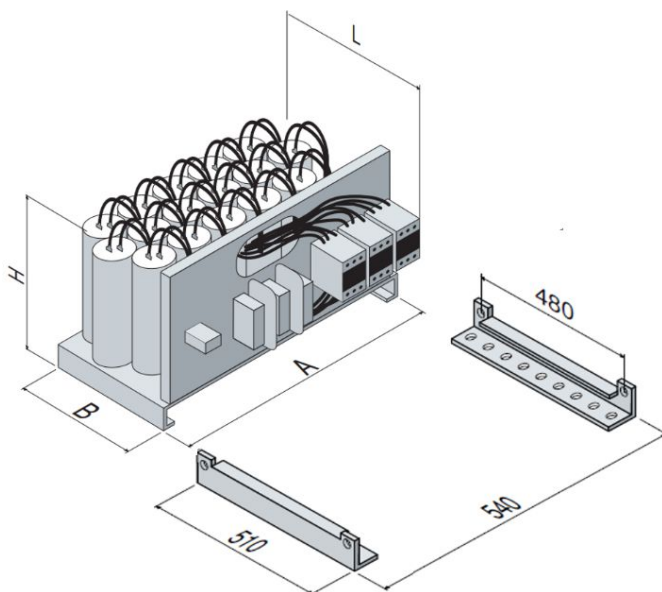
- Capacitance tolerance -5% / +10
- Rated frequency 50 Hz
- Supply Three-phase + ground
- Max. allowable voltage 1,1 Un (max. 8 /24 h)
- Safety device Overpressure disconnecter
- Auxiliary circuits 230 Vac (110 Vac on request)

HARMONIC CONTENT (in absence of resonance)

RCM-B15:	THD(I)max. = 15%	on the network
RCM-B35:	THD(I)max. = 25%	on the network
RCM-B50:	THD(I)max. = 35%	on the network
RCM-AAR/...	THD(I)max. = 100%	on the network

TECHNICAL DATA

Frame	In galvanized steel sheet.
Ventilation	Not provided. By the installer / assembler.
Installation	Indoor, in carpentry not exposed to direct sunlight.
Degree of protection	IP 00.
Fuses	Capacitive banks are protected by three fuses. The protection system of the power circuits (fuses NH-00 curve gG) foresees the use of fuses with high breaking capacity (100kA).
Contactors	Suitable for switching capacitive loads.
Capacitors	<p>Single-phase capacitors in self-regenerable metallised polypropylene (MKP), equipped with an explosion-proof device and discharge resistance. They are impregnated in vegetable oil, free of PCBs. Triangle connection. Type of continuous service.</p> <ul style="list-style-type: none"> • rated voltage / max. voltage: <ul style="list-style-type: none"> - B15: 415 Vac / 450 Vac - B35: 440 Vac / 500 Vac - B50: 500 Vac / 550 Vac - AAR/...: 500 Vac / 550 Vac • overvoltage: 1.1 x Un (8h / 24h) • current overload: 1.3 x In • tolerance on capacity: -5% / + 10% • dissipation losses: ≤0.4 W / kvar
Detuning reactors	<p>For series AAR/100 - AAR/600 - AAR/D20:</p> <ul style="list-style-type: none"> • Tuning frequency: 189 Hz (p = 7%) • Power losses: 6 W / kvar (AVG) <p>For series AAR/138:</p> <ul style="list-style-type: none"> • Tuning frequency: 138 Hz (p = 14%) • Power losses: 6,5 W / kvar (AVG)
Thermal category	-25°C / D.
Room temperature	-5°C / +40°C



QUALITY AND TESTING

Regulations	IEC / EN 60831-1/2. EN 61921.
European directives	Low voltage: 2014/35/CE; Electromagnetic compatibility: 2014/30/CE.

CONFIGURATIONS

Notes

- **Rated power** is expressed at **415 V - 50 Hz for the RCM-B...** series, at **400 V - 50 Hz for the RCM-AAR / ...** Series
- To protect the capacitor banks, an insulation and protection device must be installed in the power supply line. Racks must be grounded.

The racks are available in different versions, for applications with different harmonic content in current or different harmonic content in voltage (series with inductances), admitted on the capacitors.

Without blocking reactors :

RCM-B15: THD(I)max. = 15% on the network
THD(Ic)max. = 50% on the capacitors

RCM-B35: THD(I)max. = 25% on the network
THD(Ic)max. = 70% on the capacitors

RCM-B50: THD(I)max. = 35% on the network
THD(Ic)max. = 80% on the capacitors

With blocking reactors (and thermal probe 130°C, N.C.):

RCM-AAR/100: THD(I)max. = 100% on the network
THD(U)max. = 3% on the network

RCM-AAR/138: THD(I)max. = 100% on the network
THD(U)max. = 6% on the network

RCM-AAR/600: THD(I)max. = 100% on the network
THD(U)max. = 6% on the network

RCM-AAR/D20: THD(I)max. = 100% on the network
THD(U)max. = 20% on the network

Table

Code	Type	Qn (kvar)	In (A)	Power per bank			Steps combination (n)	Dimensions A x B x L x H (mm)	Weight (kg)
				(kvar)					
8701412500420	RCM-B15	50	70	50			1 x 50	532 x 375 x 480 x 300	15
8701412750420	RCM-B15	75	104	75			1 x 75	532 x 375 x 480 x 300	17
8701413050420	RCM-B15	50	70	25	25		2 x 25	532 x 375 x 480 x 300	18
8701413075420	RCM-B15	75	104	25	50		3 x 25	532 x 375 x 480 x 300	20
8701413100420	RCM-B15	100	139	50	50		2 x 50	532 x 375 x 480 x 300	23
8701413150420	RCM-B15	150	209	75	75		2 x 75	532 x 375 x 480 x 300	29
8701414015420	RCM-B15	150	209	25	50	75	6 x 25	532 x 375 x 480 x 300	30
8791412500440	RCM-B35	50	70	50			1 x 50	532 x 375 x 480 x 300	15
8791412750440	RCM-B35	75	104	75			1 x 75	532 x 375 x 480 x 300	17
8791413050440	RCM-B35	50	70	25	25		2 x 25	532 x 375 x 480 x 300	18
8791413075440	RCM-B35	75	104	25	50		3 x 25	532 x 375 x 480 x 300	20
8791413100440	RCM-B35	100	139	50	50		2 x 50	532 x 375 x 480 x 300	23
8791413150440	RCM-B35	150	209	75	75		2 x 75	532 x 375 x 480 x 300	29
8791414015440	RCM-B35	150	209	25	50	75	6 x 25	532 x 375 x 480 x 300	30
8721412500450	RCM-B50	50	70	50			1 x 50	532 x 375 x 480 x 300	15
8721412750450	RCM-B50	75	104	75			1 x 75	532 x 375 x 480 x 300	17
8721413050450	RCM-B50	50	70	25	25		2 x 25	532 x 375 x 480 x 300	18
8721413075450	RCM-B50	75	104	25	50		3 x 25	532 x 375 x 480 x 300	20
8721413100450	RCM-B50	100	139	50	50		2 x 50	532 x 375 x 480 x 300	23
8721413150450	RCM-B50	150	209	75	75		2 x 75	532 x 375 x 480 x 300	29
8721414015450	RCM-B50	150	209	25	50	75	6 x 25	532 x 375 x 480 x 300	30
8731402125750	RCM-AAR/100	12,5	18	12,5			1 x 12,5	532 x 375 x 480 x 300	24
8731402250750	RCM-AAR/100	25	36	25			1 x 25	532 x 375 x 480 x 300	30
8731402500750	RCM-AAR/100	50	72	50			1 x 50	532 x 375 x 480 x 300	44
8731402750750	RCM-AAR/100	75	108	75			1 x 75	532 x 375 x 480 x 300	56
8731403050750	RCM-AAR/100	50	72	25	25		2 x 25	532 x 375 x 480 x 300	64
8731403075750	RCM-AAR/100	75	108	25	50		3 x 25	532 x 375 x 480 x 300	69
8831402125700	RCM-AAR/138	12,5	18	12,5			1 x 12,5	532 x 375 x 480 x 300	26
8831402225700	RCM-AAR/138	25	36	25			1 x 25	532 x 375 x 480 x 300	33
8831402500700	RCM-AAR/138	50	72	50			1 x 50	532 x 375 x 480 x 300	45
8831403050700	RCM-AAR/138	50	72	25	25		2 x 25	532 x 375 x 480 x 300	58
8741402125650	RCM-AAR/600	12,5	18	12,5			1 x 12,5	532 x 375 x 480 x 300	26
8741402225650	RCM-AAR/600	25	36	25			1 x 25	532 x 375 x 480 x 300	34
8741402500650	RCM-AAR/600	50	72	50			1 x 50	532 x 375 x 480 x 300	46
8741403050650	RCM-AAR/600	50	72	25	25		2 x 25	532 x 375 x 480 x 300	56
8741403075650	RCM-AAR/600	75	108	75			1 x 75	532 x 375 x 480 x 300	68
8901402250620	RCM-AAR/D20	25	36	25			1 x 25	532 x 375 x 480 x 300	34
8901402500620	RCM-AAR/D20	50	72	50			1 x 50	532 x 375 x 480 x 300	46

Other solutions are available upon request.