

The **RCL** series racks are designed for our **G9E** type cabinets. Inside each rack are assembled single-phase capacitor terns. The versions shown in the catalog are all equipped with blocking rectors, for applications with a high level of harmonic current distortion.

### PERFORMANCE DATA

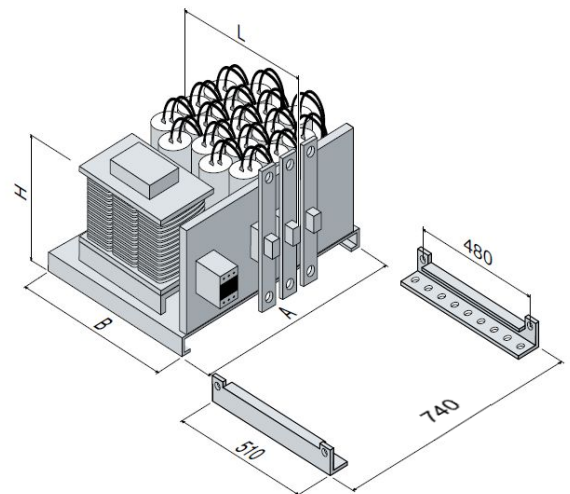
- Capacitance tolerance      -5% / +10
- Rated frequency            50 Hz
- Supply                         Three-phase + ground
- Max. allowable voltage      1,1 Un (max. 8 /24 h)
- Safety device                Overpressure disconnecter
- Auxiliary circuits            230 Vac (110 Vac on request)

### HARMONIC CONTENT

- |              |                   |                |
|--------------|-------------------|----------------|
| RCL-AAR/138: | THD(I)max. = 100% | on the network |
|              | THD(U)max. = 4%   | on the network |
| RCL-AAR/D20  | THD(I)max. = 100% | on the network |
|              | THD(U)max. = 20%  | on the network |

### TECHNICAL DATA

Frame	In galvanized steel sheet.
Ventilation	Not provided. By the installer / assembler.
Installation	Indoor, in carpentry not exposed to direct sunlight.
Degree of protection	IP 00.
Fuses	Capacitive banks are protected by three fuses. The protection system of the power circuits (fuses NH-00 curve gG) foresees the use of fuses with high breaking capacity (100kA).
Contactors	Suitable for switching capacitive loads
Capacitors	<p>Single-phase capacitors in self-regenerable metallised polypropylene (MKP), equipped with an explosion-proof device and discharge resistance. They are impregnated in vegetable oil, free of PCBs. Triangle connection. Type of continuous service.</p> <ul style="list-style-type: none"> <li>• rated voltage / max. voltage:</li> <li>- AAR/138: 500 Vac / 550 Vac</li> <li>- AAR/D20: 550 Vac / 600 Vac</li> <li>• overvoltage: 1.1 x Un (8h / 24h)</li> <li>• current overload: 1.3 x In</li> <li>• tolerance on capacity: -5% / + 10%</li> <li>• dissipation losses: ≤0.4 W / kvar</li> </ul>
Thermal category	-25°C / D.
Room temperature	-5°C / +40°C



### QUALITY AND TESTING

Regulations	IEC / EN 60831-1/2. EN 61921.
European directives	Low voltage: 2014/35/CE; Electromagnetic compatibility: 2014/30/CE.

## CONFIGURATIONS

## Notes

- Rated power is expressed at 400 V - 50 Hz.
- To protect the capacitor banks, an insulation and protection device must be installed in the power supply line. Racks must be grounded;
- The «L» dimension refers to the overall dimensions, taking into account the contactor.

The racks are available in two different versions, for applications with different voltage harmonic content allowed on the network

**With blocking reactors** (and thermal probe 130°C, N.C.):

**RCL-AAR/138:** THD(I)max. = 100% on the network  
THD(U)max. = 4% on the network

**RCL-AAR/D20:** THD(I)max. = 100% on the network  
THD(U)max. = 20% on the network

## Table

Code	Type	Qn (kvar)	In (A)	Power per bank (kvar)		Steps combination (n)	Dimensions A x B x L x H (mm)	Weight (kg)
8831402250900	RCL-AAR/138	25	36	25		1 x 25	732 x 375 x 480 x 300	35
8831402500900	RCL-AAR/138	50	72	50		1 x 50	732 x 375 x 480 x 300	43
8831402750900	RCL-AAR/138	75	108	75		1 x 75	732 x 375 x 480 x 300	60
8831403050900	RCL-AAR/138	50	72	25	25	2 x 25	732 x 375 x 480 x 300	68
8831403075900	RCL-AAR/138	75	108	25	50	3 x 25	732 x 375 x 480 x 300	80
8901402250720	RCL-AAR/D20	25	36	25		1 x 25	732 x 375 x 480 x 300	44
8901402500720	RCL-AAR/D20	50	72	50		1 x 50	732 x 375 x 480 x 300	70
8901403050720	RCL-AAR/D20	50	72	25	25	2 x 25	732 x 375 x 480 x 300	74
8901402750720	RCL-AAR/D20	75	108	75		1 x 75	732 x 375 x 480 x 300	85

Other solutions are available upon request.